

SRK25ZMP-S

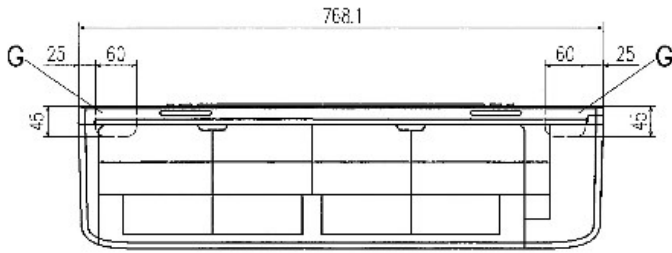
De pared - Indoor Unit

Una unidad interior RAC de pared con una capacidad de enfriamiento nominal de 2,5 kW.

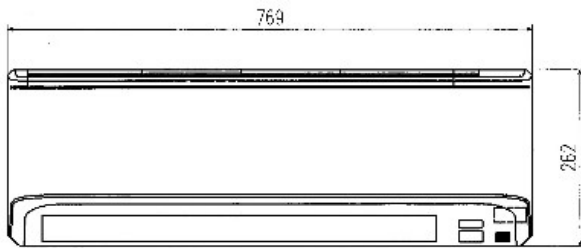
**Características técnicas****Datos generales**

Nominal cooling capacity (min-max)	kW	2.5 (0.9 - 2.8)
Nominal heating capacity (min-max)	kW	2.8 (0.8 - 3.9)
Exterior Dimensions (H x W x D)	mm	262 x 769 x 210
Net Weight	kg	6.9
Air Flow Cooling (Hi/Me/Lo)	m3/min	10.1 / 7.3 / 4.2
Air Flow Heating (Hi/Me/Lo)	m3/min	9.5 / 7.3 / 5.2
Sound Pressure Level Cooling (Hi/Me/Lo)	dB(A)	45 / 34 / 23
Sound Pressure Level Heating (Hi/Me/Lo)	dB(A)	43 / 34 / 26

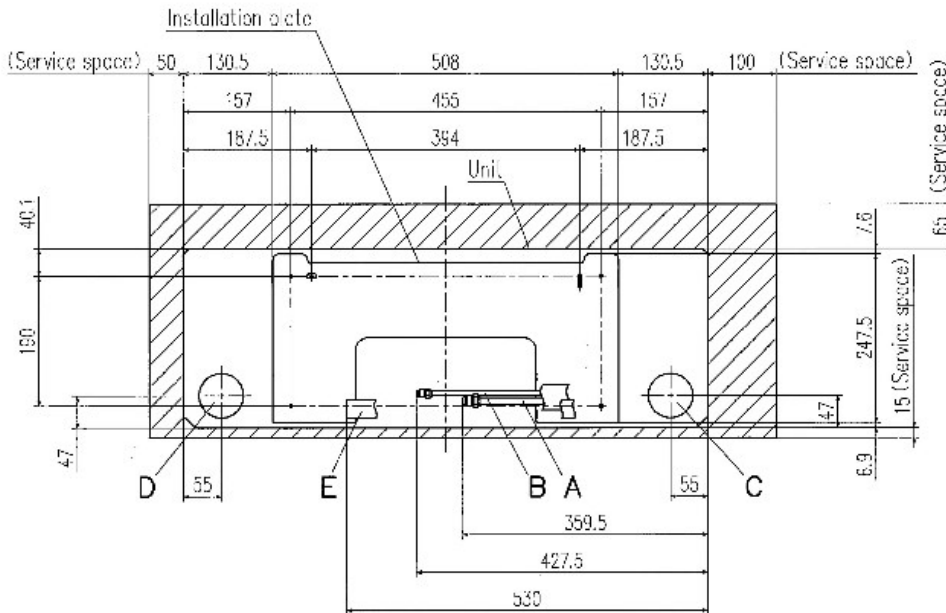
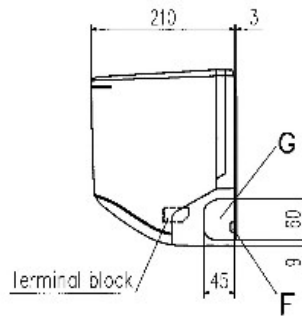
Schematics



Symbol	Content	
A	Gas piping	Mode 25,35 : $\phi 9.52 (3/8")$ (Flare) Mode 45 : $\phi 12.7 (1/2")$ (Flare)
B	Liquid piping	$\phi 6.35 (1/4")$ (Flare)
C	Hole on wall for right rear piping	($\phi 65$)
D	Hole on wall for left rear piping	($\phi 65$)
E	Drain hose	VP16
F	Outlet for wiring	
G	Outlet for piping (on both side)	



Outlet for down piping
(Refer to the above view)



Space for installation and service when viewing from the front

SRC25ZMP-S

De pared - Outdoor Unit

Una unidad exterior RAC con una capacidad de enfriamiento nominal de 2,5 kW.

**Características técnicas****Datos generales**

Nominal cooling capacity (min-max)	kW	2.5 (0.9 - 2.8)
Nominal heating capacity (min-max)	kW	2.8 (0.8 - 3.9)
EER (Energy Label)		3.21
COP (Energy Label)		3.71
Exterior Dimensions (H x W x D)	mm	540 x 645(+57) x 275
Net Weight	kg	25
Sound Pressure Level (Cooling/Heating)	dB(A)	47 / 45
Energy class (cooling/heating)		A/A
SEER "Average climate" (Energy label)		5.5
SCOP "Average climate" (Energy label)		3.82

Electrical Data

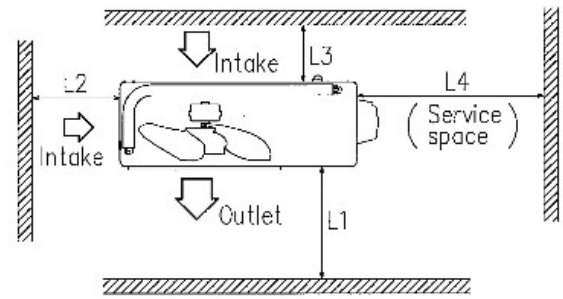
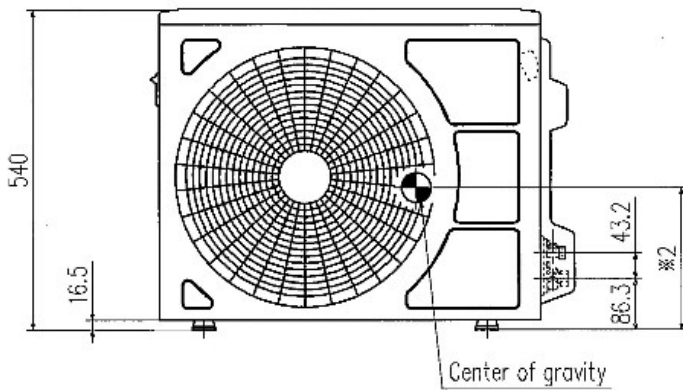
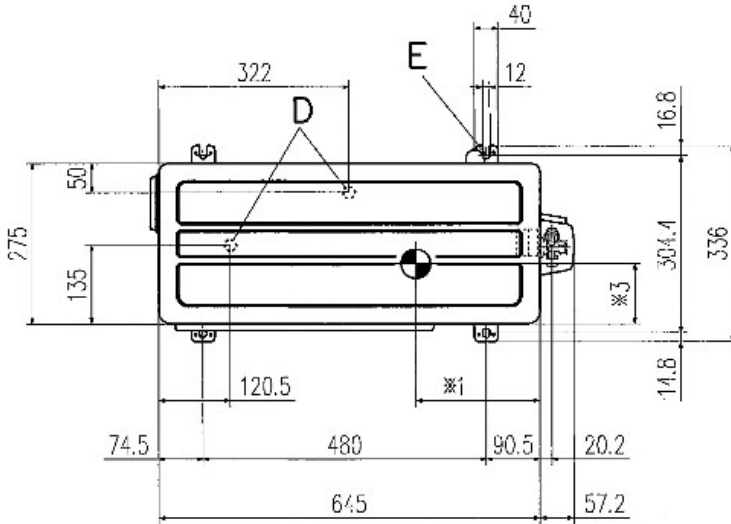
Pdesignc	kW	2.5
Pdesignh (@-10°C)	kW	2.8
Annual electricity consumption (cooling/heating)	kWh/a	160/1027
Power Source		1Phase, 220 - 240V, 50Hz
Inrush current (220/230/240v)	A	3.9 / 3.8 / 3.6
Max. running current	A	9
Power consumption (cooling/heating)	kW	0.78 / 0.755

Installation

Refrigerant (GWP)		R410A (2088)
Designated heating season		Average
Ref. Piping Size (Liquid/Gas)	Ø mm	6.35 (1/4") / 9.52 (3/8")
Ref. Max Piping Length	m	Max. 15
Vertical Height differences / Outdoor is higher/lower	m	Max. 10 / Max. 10

Schematics

Symbol	Content	
A	Service valve connection (gas side)	φ9.52 (3/8") (F. are)
B	Service valve connection (liquid side)	φ6.35 (1/4") (F. are)
C	Pipe/cable draw-out hole	
D	Drain discharge hole	φ20×2places
E	Anchor bolt hole	M10×4places



Minimum installation space

Dimensions	MODEL	※1	※2	※3
	DXC09Z5-S	210	240	103
	DXC12Z5-S	220	240	108

Examples of installation	I	II	III	IV
L1	Open	280	280	180
L2	100	100	Open	Open
L3	100	80	80	80
L4	250	Open	250	Open

